

# PMC-D726M Quick Start Guide

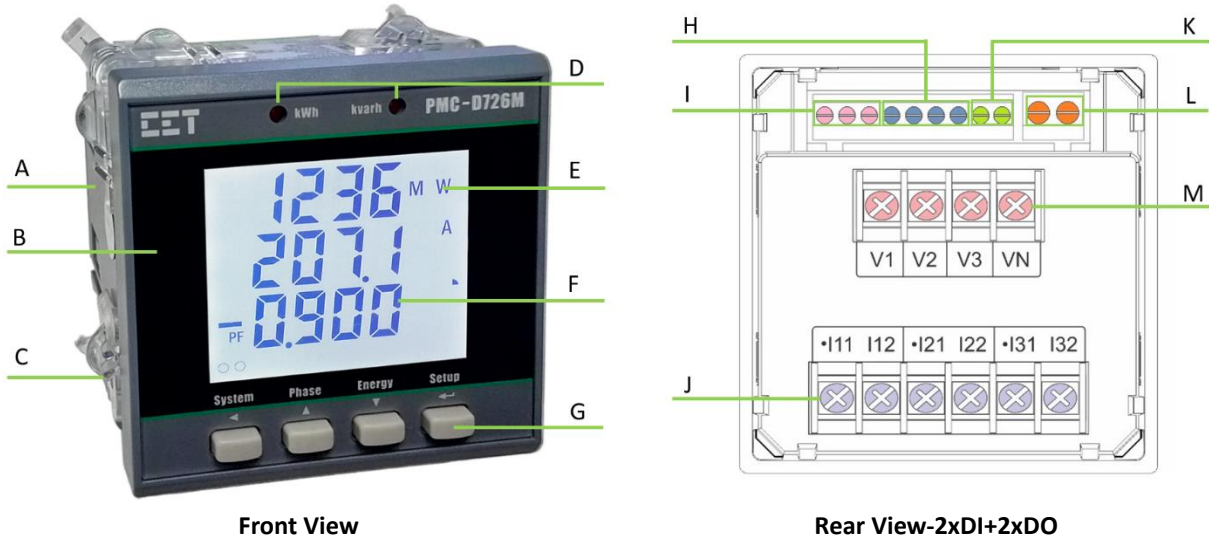
Version 1.00

2024/03/01

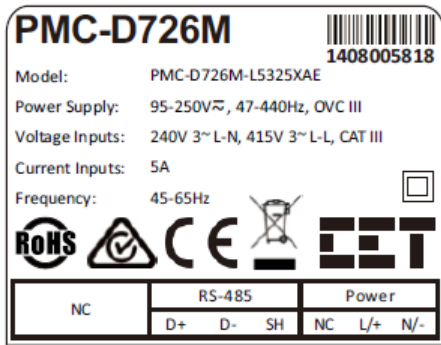
## Package Contents

- PMC-D726M Meter with all installation clips and plug-in connectors installed
- Factory Test Report
- CD with PMC-D726M User Manual
- Quick Start Guide (this document)

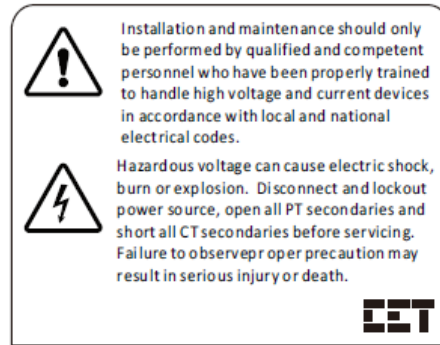
## Meter Overview



| Front View |                            |   |                           | Rear View-2xDI+2xDO |                         |
|------------|----------------------------|---|---------------------------|---------------------|-------------------------|
| A          | Enclosure                  | F | Measurements              | K                   | RS-485 Terminals        |
| B          | Front Panel                | G | Buttons                   | L                   | Power Supply Terminals  |
| C          | Installation Clips         | H | Digital Outputs Terminals | M                   | Voltage Input Terminals |
| D          | kWh/kvarh LED Pulse Output | I | Digital Inputs Terminals  |                     |                         |
| E          | Units                      | J | Current Input Terminals   |                     |                         |



Serial Number Label



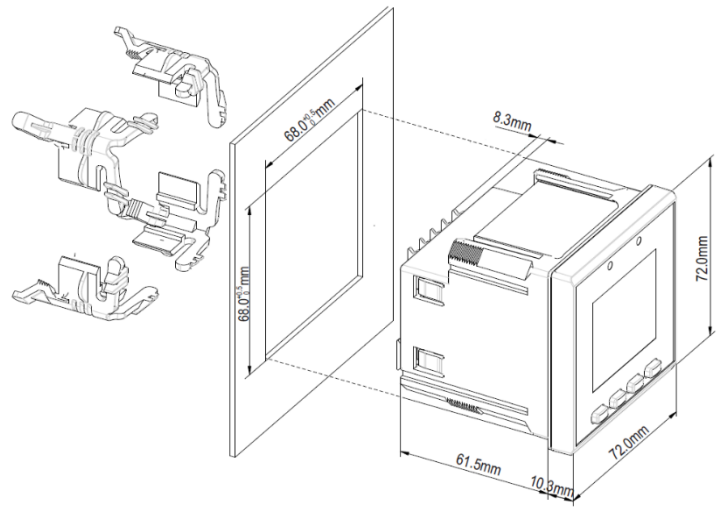
Warning Label

## Using the Front Panel Buttons

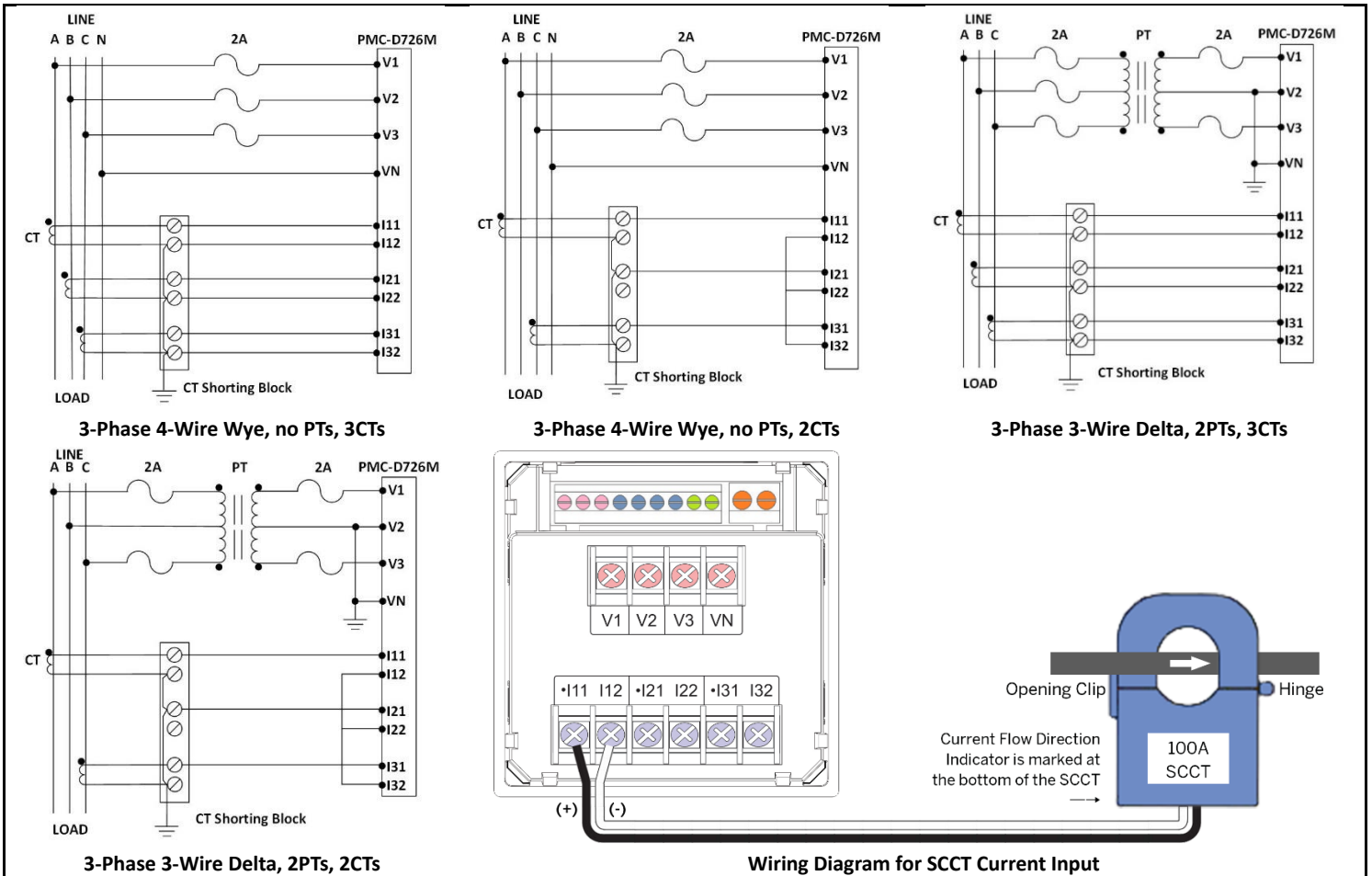
| Buttons           | Data Display Mode   | Setup Configuration Mode  |
|-------------------|---|---|
| System<br>< ◀ ▶ > | Pressing this button scrolls through the available measurements under the System menu.                    | Before a parameter is selected for modification, pressing this button goes back to the last menu. If a parameter is already selected, pressing this button moves the cursor to the left by one position for a numeric value and has no effect for an enumerated value.                  |
| Phase<br>< ▲ >    | Pressing this button scrolls through the available measurements under the Phase menu.                     | Before a parameter is selected for modification, pressing this button advances to the last menu or parameter in a particular menu. If a parameter is already selected, pressing this button increments a numeric value or advances to the next enumerated value in the selection list.  |
| Energy<br>< ▶ >   | Pressing this button scrolls through the energy measurements.   | Before a parameter is selected for modification, pressing this button advances to the next menu or parameter in a particular menu. If a parameter is already selected, pressing this button decrements a numeric value or goes back to the last enumerated value in the selection list. |
| Setup<br>< ↔ >    | Pressing this button for two seconds toggles between <b>Data Display</b> and <b>Setup Configuration</b> . | Once inside the Setup Configuration mode, pressing this button selects the parameter for modification. After changing the parameter, pressing this button again saves the new setting into memory.  |

## Mounting the Meter

- Remove the installation clips from the meter
- Fit the meter through a 68mmx68mm cutout as shown in figure right
- Re-install the installation clips and push the clips tightly against the panel to secure the meter



## Wiring Modes and SCCT Current Input Wiring Diagram



## Basic Setup Parameters

| Menu    | Parameters | Description   | Options/Range                      | Default                                |      |
|---------|------------|---------------|------------------------------------|--|------|
| PASS    | Password   | Password      | 0 to 9999                          | 0                                      |      |
| SYS SET | TYPE       | Wiring Mode   | The Wiring Connection of the meter | WYE/DELTA/DEMO                         | WYE  |
|         | CT1#       | CT Primary    | CT Primary Current                 | 1 to 30,000 A                          | 5A   |
|         | CT2#       | CT Secondary  | CT Secondary Current               | 1 to 5 A                               | 5A   |
|         | PT1#       | PT Primary    | PT Primary Voltage                 | 1 to 1,000,000 V                       | 100V |
|         | PT2#       | PT Secondary  | PT Secondary Voltage               | 1 to 690 V                             | 100V |
|         | PF         | PF Convention | PF Convention                      | IEC/IEEE/-IEEE                         | IEC  |
|         | KVA        | kVA Calc.     | kVA Calculation Method             | V/S<br>(V=Vector, S=Scalar)            | V    |
| COM SET | ID         | Unit ID       | Unit ID                            | 1-247                                  | 100  |
|         | BAUD       | Baud Rate     | Data rate in bits per second       | 1200/2400/4800/<br>9600/19200/38400bps | 9600 |
|         | CFG        | Data Format   | Data Format                        | 8N2/8O1/8E1/8N1/8O2/8E2                | 8E1  |

\*Available in Firmware V1.00.03 or later.